

DO12X65F0D6-TRI

3XPol / 698-960, 1695-2700 MHz / H75°, H70°, H60° / 10, 12, 13 dBi

Tri-Sector Canister

Frequency Range	698 - 824	824 - 894	894 - 960	1695 - 1910	1910 - 2180	2180 - 2360	2360 - 2700
HPBW	77°	75°	71°	71°	66°	60°	56°

Model No.	DO12X65F0D6-TRI						
-----------	-----------------	--	--	--	--	--	--

		Low Bands			High Bands		
Frequency Range (MHz)		698-824	824-894	894-960	1695-1900	1990-2180	2300-2360
Gain (dBi)		10.6 ± 0.5	10.7 ± 0.4	11.0 ± 0.4	12.0 ± 0.3	12.5 ± 0.6	12.8 ± 0.2

Horizontal Pattern:

Azimuth Beam width (°)		77.1 ± 7.0	75.6 ± 3.8	71.8 ± 5.3	71.8 ± 3.1	66.9 ± 3.1	60.5 ± 4.3	56.9 ± 3.2
Front-to-Back Ratio, Total Power (dB)		> 18.0	> 20.9	> 21.1	> 21.8	> 22.1	> 24.6	> 25.0
Cross Polar Discrimination at Boresight (dB)		> 20.4	> 23.2	> 24.9	> 19.6	> 23.4	> 22.1	> 17.6
Cross Polar Discrimination over Sector (± 60°) (dB)		> 9.7	> 14.0	> 12.8	> 9.4	> 8.5	> 6.5	> 3.8

Vertical Pattern:

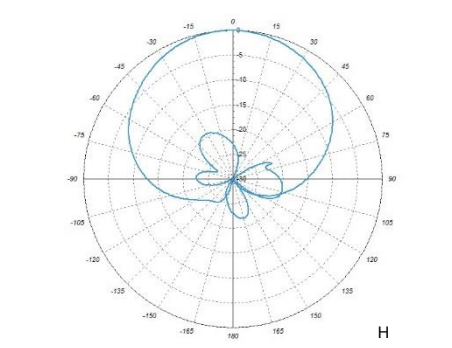
Elevation Beamwidth (°)		37.8 ± 2.9	33.9 ± 2.5	32.4 ± 1.9	22.3 ± 1.8	19.7 ± 1.5	18.1 ± 0.7	16.2 ± 1.6
First Upper Side Lobe Suppression (dB)		> 18.9	> 18.9	> 18.6	> 20.3	> 16.8	> 16.8	> 16.7

Cross Polar Isolation (dB)		> 24				> 20	
VSWR		< 1.7				< 1.7	
Polarization					+45°, -45°		
Intermodulation IM3 (dBc)					< -153 (2x43 dBm carrier)		
Impedance (Ω)					50		
Max. Effective Power per Port (watts)					250 W		

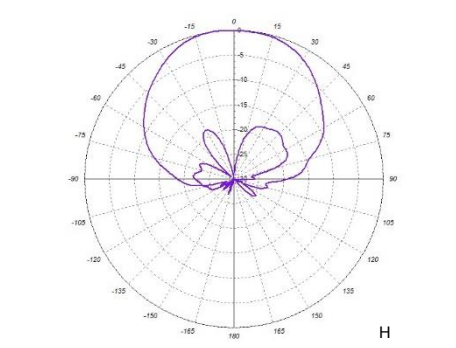
Values based on NGMN-P-BASTA requirements

Mechanical Specifications

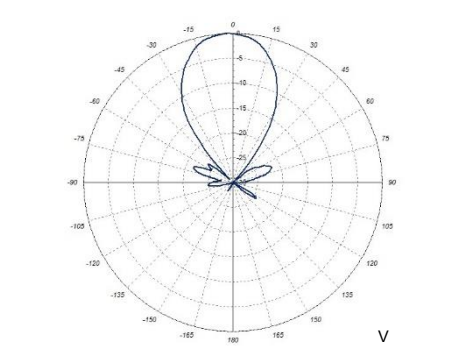
Connector Type & Quantity		7-16 Female x 6 (Optional : 4.3-10 Female)
Connector Position		Bottom
Antenna Dimension (H x W x D) (mm/in)		Ø360 x 600 14.1 x 23.6
Weight (Clamp incl.) (kg/lb)		17 37.4 lb
Wind Load (@100 mph) (N)		Front 307, Side 307, Rear 307
Max. Wind Speed (mph)		150
Radome (Color)		FRP (Gray)
Product Environmental compliance		ROHS compliant



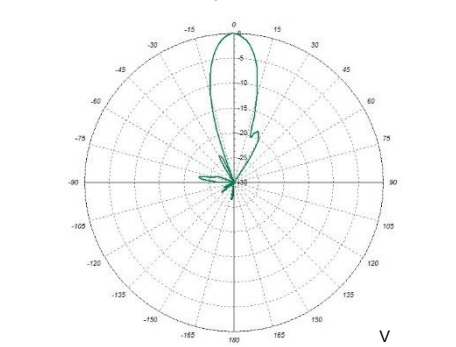
Low Band



High Band



V

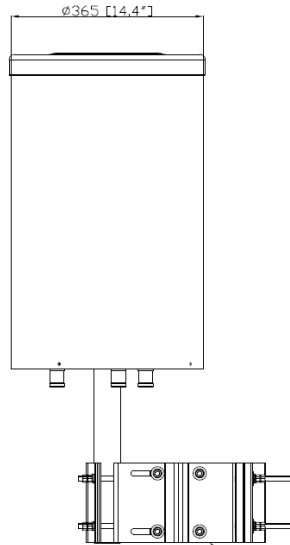
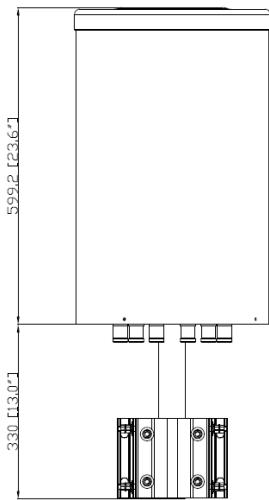
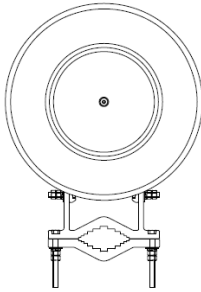


V

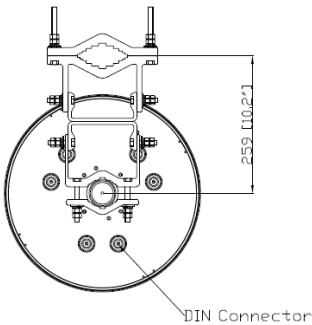
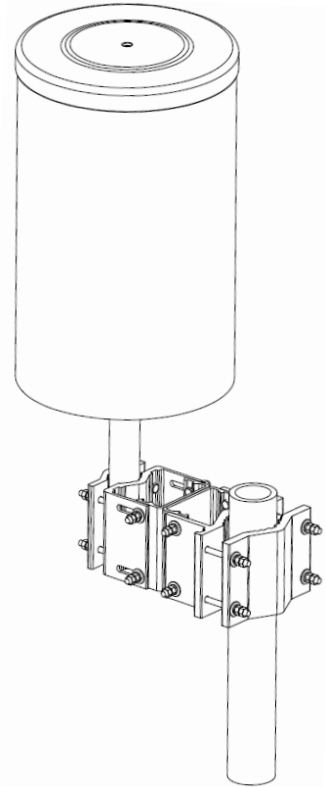
Mechanical Drawing & Configuration Table



698-960 / 1695-2700 +45	698-960 / 1695-2700 -45
7-16 Female	7-16 Female



TILT BRACKET



DIN Connector